



# FISH<sup>®</sup> S10



## Construction and application

Upright hygienic tank perfectly suitable for all of heat installations. Heating of water is archived through two water heat exchanges which are made of smooth pipe, operate independently of each other and which are permanently welded in connection with an external heat source, such as: solar system, heat pump, hot water boiler, etc., or it is optionally performed through an electric heater. Thanks to application heat exchanger made from stainless steel prevent to expand bacterium, and large area assure prepare sufficiently hot domestic water. Laminar tube give a guarantee perfectly circulate temperature through return water from central heating.

## Thermal Insulation

Thermal insulation is layer of polyurethane foam with 100mm thick.

## Standard colour

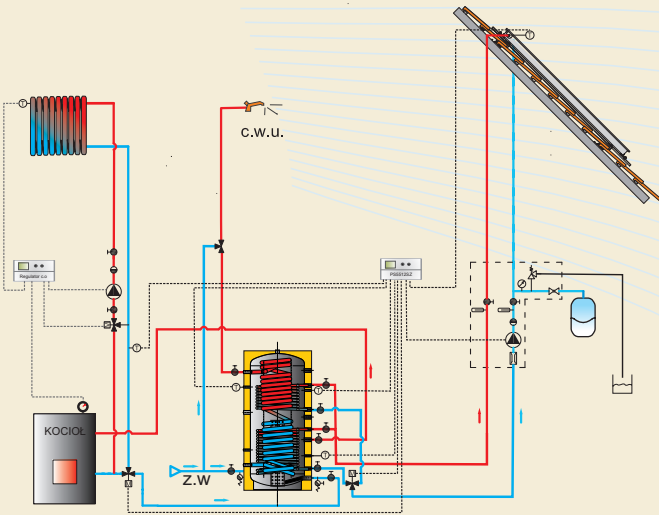
Tanks are available with gray colour.

## Equipment

Muff for electric heater GW 1½”.

## Technical data

Material: ST 37.2  
 Welding: automatic welding (WIG i MIG)  
 Maximum working pressure of tank: 3 bars  
 Maximum test pressure: 15 bars  
 Maximum working temperature: 95°C  
 Insulation: 100 mm thick polyurethane foam  
 External jacket : PVC  
 Heat exchanges: steel pipe ST 37.2  
 Heat exchanger(hygienic): stainless steel

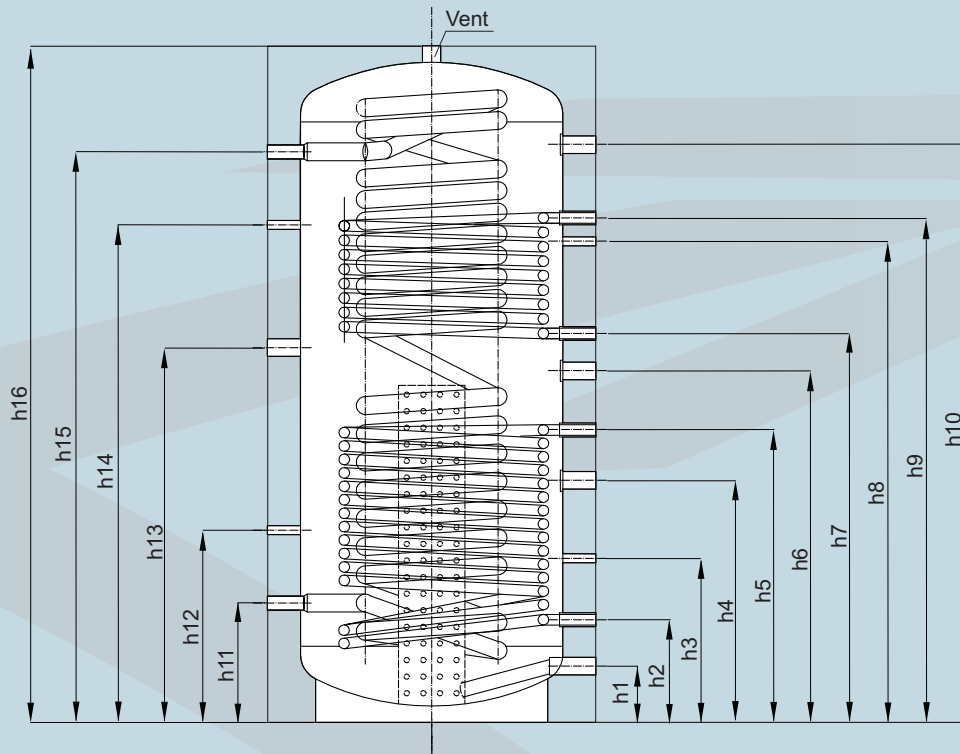


Indication		FISH S10 500		FISH S10 800		FISH S10 1000		FISH S10 1500	
		WT1	WT2	WT1	WT2	WT1	WT2	WT1	WT2
Storage tank capacity	l	500		800		1000		1500	
Diameter without insulation	mm	650		790		790		1000	
Diameter with insulation	mm	850		990		990		1200	
Solid efficiency (80/10/45°C) (Solar exchange) under	l/h	2008		2900		3300		3914	
	kW	82		118		134		147	
Solid efficiency (80/10/45°C) (Solar exchange) top	l/h	1220		1854		2392		2571	
	kW	71		105		140		156	
Coil surface	m <sup>2</sup>	1,7	1	2,9	1,8	3	2	3,4	2,4
Coil capacity	l	10,5	6,2	17,9	11,1	18,5	12,3	21	14,8
Loss pressure of coil	mbar	240	107	250	167	405	255	568	275
Max. permissible temperature, domestic water/tank/coil	°C	95/95/120		95/95/120		95/95/120		95/95/120	
Max. working pressure, domestic water/tank/coil	bar	10/3/10		10/3/10		10/3/10		10/3/10	
HYG Coil surface	m <sup>2</sup>	4,5		7,5		7,5		11	
HYG Coil capacity	l	20		33		33		49	
Inside system of layer load	mm	-		200		200		200	
Tank high	H	1610		1860		2040		2170	
High of boiler connection, return	h1	150		170		170		235	
High, solar connection, return botton	h2	250		310		310		375	
High of the sensor muff 1	h3	460		465		495		520	
High free conncion	h4	620		670		730		765	
High, solar connection, feed botton	h5	770		820		880		895	
High free conncion	h6	880		980		1060		1085	
High, solar connection, return top	h7	990		1071		1172		1225	
High of the sensor muff 2	h8	1120		1290		1450		1525	
High, solar connection, return top	h9	1270		1389		1521		1635	
High of boiler connection, feed	h10	1370		1573		1742		1808	
High, cold water connection	h11	275		330		360		392	
High of the sensor muff 3	h12	410		570		580		875	
High of Heater muff	h13	790		920		1130		1130	
High of the sensor muff 4	h14	1120		1290		1500		1500	
High, hot water connection	h15	1308		1486		1581		1700	
Vent	h16	1610		1860		2040		2170	
High free conncion	h17	-		-		-		1305	
<b>Connectors</b>									
Hot/Cold water	R		1 1/4"		1 1/4"		1 1/4"		1 1/4"
Central heating, feed/return	Rp		1 1/2"/1 1/2"		1 1/2"/1 1/2"		1 1/2"/1 1/2"		1 1/2"/1 1/2"
Solar cycle, feed/return, bottom	Rp		1 1/4"		1 1/4"		1 1/4"		1 1/4"
Solar cycle, feed/return, top	Rp		1 1/4"		1 1/4"		1 1/4"		1 1/4"
Heater muff	Rp		1 1/2"		1 1/2"		1 1/2"		1 1/2"
Vent	Rp		1 1/2"		1 1/2"		1 1/2"		1 1/2"
Sensor sleeve	Ro		1/2"		1/2"		1/2"		1/2"
Weight (empty)	kg	151		203		238		375	

R - Inner thread, Rp - Outer thread  
 WT1 - Heat exchanger down  
 WT2 - Heat exchanger

# The Fish S10 hygienic heater

- capacity from 500l to 1000l



- capacity 1500l

