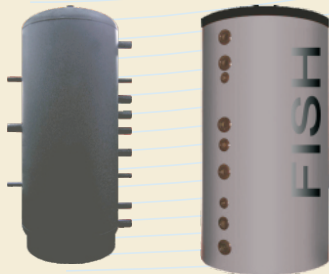




# FISH<sup>®</sup> S4



## Construction and application

Buffer tanks are in vertical option. They are perfectly suitable to all kind of heat installation with boilers for solid fuel, oil, gaz, heat pump or electric flow heater, adaptation coil makes possible to supporting heat installation across solar system. A lot of connection probes permit to use tank's non-standard heat installation and also connecting tanks what makes possible totally fitting capacity to individual necessity.

## Thermal insulation

Thermal insulation is layer of soft polyurethane foam of 100 mm thickness in PCV lag.

## Standard colour

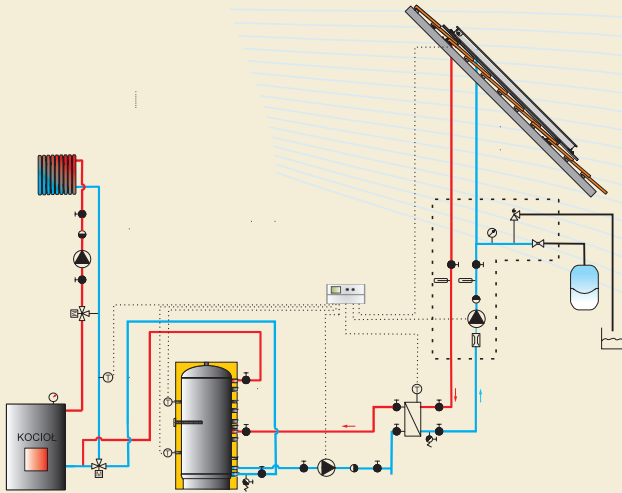
The solar heaters are available in the following standard colour: grey.

## Tanks equipped

Coupler for temperature sensor, thermostat coupler, coupler GW 1 ½" for electric heater.

## Technical data

Material: ST 37.2  
 Welding: automatic welding (WIG and MIG)  
 Maximum working pressure of the tank: 3 bars  
 Maximum test pressure: 15 bars  
 Maximum working temperature: 95°C  
 Insulation: 100 mm thick polyurethan soft foam  
 External jacket: PVC

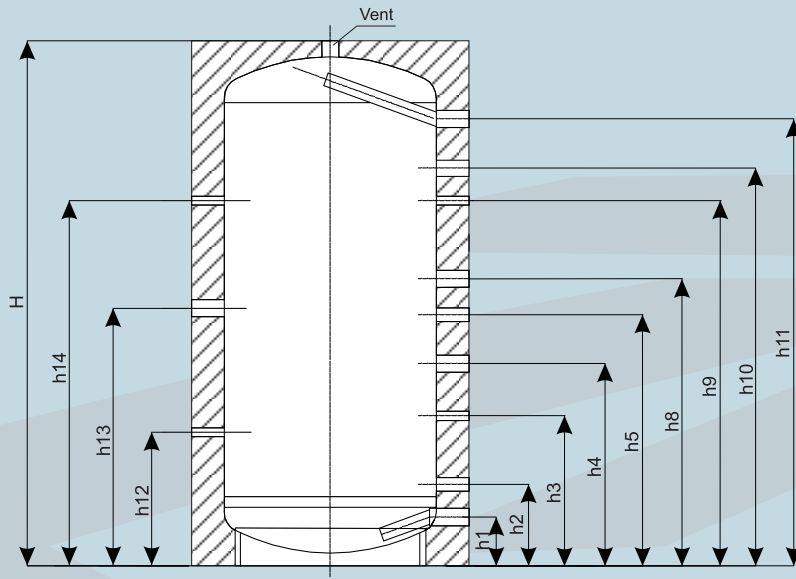


Indication			FISH S4 300	FISH S4 500	FISH S4 800	FISH S4 1000	FISH S4 1500	FISH S4 2000
Storage tank capacity		l	300	500	800	1000	1500	2000
Max. permissible temperature		°C	95	95	95	95	95	95
Max. working pressure		bar	3	3	3	3	3	3
Insulation thickness		mm	100	100	100	100	100	100
Diameter with insulation		mm	750	850	990	990	1200	1350
Diameter without insulation		mm	550	650	790	790	1000	1150
Tank high	H	mm	1460	1610	1860	2040	2170	2200
High of boiler connection, return	h1	mm	150	150	170	170	235	230
High of free connection	h2	mm	260	250	310	310	375	380
High of the sensor muff 1	h3	mm	420	460	465	495	520	500
High of the central heating, return	h4	mm	540	620	670	730	765	735
High of free connection	h5	mm	660	770	820	880	895	980
High of the sensor muff 2	h6	mm	-	-	-	-	975	-
High of free connection	h7	mm	770	880	-	-	1085	1170
High of the central heating, feed	h8	mm	880	990	980	1060	1305	1420
High of the sensor muff 3	h9	mm	1010	1120	1290	1450	1525	1590
High, cold water connection	h10	mm	-	-	1390	1520	1635	-
High of boiler connection, feed	h11	mm	1170	1370	1573	1742	1808	1820
High of the sensor muff 4	h12	mm	410	410	570	580	875	920
High of Heater muff	h13	mm	760	790	920	1130	1130	1170
High of the sensor muff	h14	mm	1060	1120	1290	1500	1500	1690
<b>Connectors</b>								
Hot/Cold water	Rp		1 ½" / 1 ½"	1 ½" / 1 ½"	1 ½" / 1 ½"	1 ½" / 1 ½"	1 ½" / 1 ½"	1 ½" / 1 ½"
	Rp		1"/1"	1"/1"	1"/1"	1"/1"	1"/1"	1"/1"
Central heating, feed/return	Rp		1 ½" / 1 ½"	1 ½" / 1 ½"	1 ½" / 1 ½"	1 ½" / 1 ½"	1 ½" / 1 ½"	1 ½" / 1 ½"
	Rp		1 ½"	1 ½"	1 ½"	1 ½"	1 ½"	1 ½"
Heater muff	Rp		1 ½"	1 ½"	1 ½"	1 ½"	1 ½"	1 ½"
Vent	Rp		1 ½"	1 ½"	1 ½"	1 ½"	1 ½"	1 ½"
Sensor sleeve	Rp		½"	½"	½"	½"	½"	½"
Weight (empty)		kg	77	99	126	152	274	382

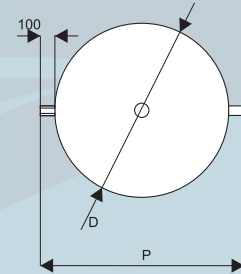
R - Inner thread, Rp - Outer thread

# Buffer tank FISH S4

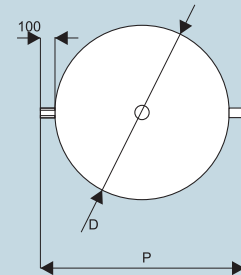
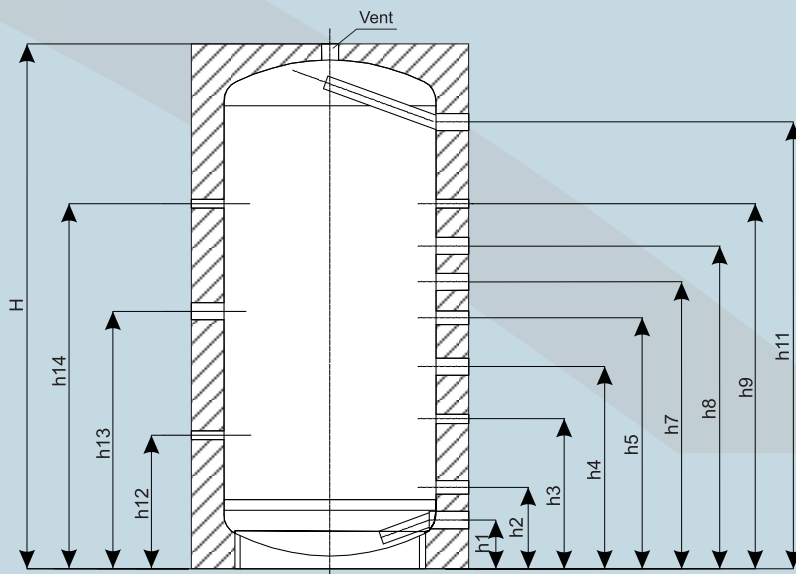
- capacity 800l and 1000l



D - diameter without insulation  
P - diameter with insulation



- capacity 300l, 500l and 2000l



- capacity 1500l

