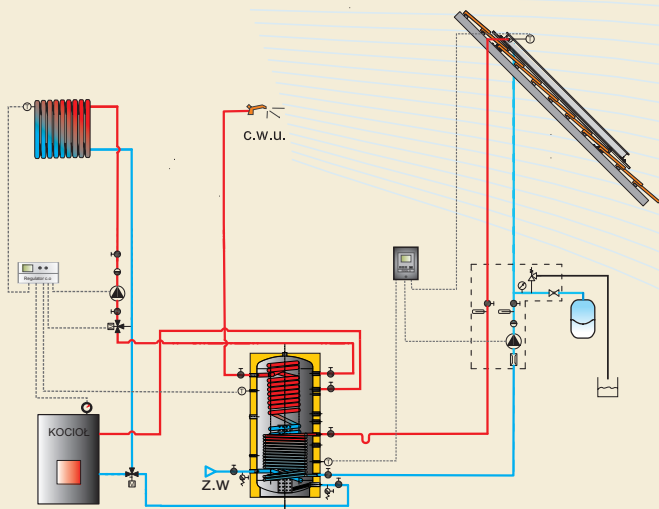


sune[®]

FISH[®] S9



Construction and application

Upright hygienic tank perfectly suitable for all of heat installations. Heating of water is archived through heat exchanger which is made of smooth pipe, operate independently of each other and which are permanently welded in connection with an external heat source, such as: solar system, heat pump, hot water boiler, etc., or it is optionally performed through an electric heater. Thanks to application heat exchanger made from stainless steel prevent to expand bacterium, and large area assure prepare sufficiently got domestic water. Laminar tube give a guarantee perfectly circulate temperature through return water from central heating.

Thermal Insulation

Thermal insulation is layer of polyurethane foam with 100mm thick.

Standard colour

Tanks are available with gray colour.

Equipment

Muff for electric heater GW 1 1/2".

Technical data

Material: ST 37.2
 Welding: automatic welding (WIG i MIG)
 Maximum working pressure of tank: 3 bars
 Maximum test pressure: 15 bars
 Maximum working temperature: 95°C
 Insulation: 100 mm thick polyurethane foam
 External jacket : PVC
 Heat exchanges: steel pipe ST 37.2
 Heat exchanger(hygienic): stainless steel

Indication		FISH S9 500	FISH S9 800	FISH S9 1000	FISH S9 1500
Storage tank capacity	l	500	800	1000	1500
Diameter without insulation	mm	650	790	790	1000
Diameter with insulation	mm	850	990	990	1200
Solid efficiency (80/10/45°C) (Solar exchange)	l/h	2008	2900	3300	3914
Coil surface	m ²	82	118	134	147
Coil capacity	l	10,5	17,9	18,5	21
Loss pressure of coil	mbar	240	250	405	568
Max. permissible temperature, domestic water/tank/coil	°C	95/95/120	95/95/120	95/95/120	95/95/120
Max. working pressure, domestic water/tank/coil	bar	10/3/10	10/3/10	10/3/10	10/3/10
HYG coil surface	m ²	4,5	7,5	7,5	11
HYG coil capacity	l	20	33	33	49
Inside system of layer load	mm	-	200	200	200
Tank high	H	1610	1860	2040	2170
High of boiler connection, return	h1	150	170	170	235
High of solar connection, return bottom	h2	250	310	310	375
High of the sensor muff 1	h3	460	465	495	520
High of free connection	h4	620	670	730	765
High of solar connection, feed bottom	h5	770	820	880	895
High of free connection	h6	880	980	1060	1085
High of free connection	h7	990	1071	1172	1305
High of the sensor muff 2	h8	1120	1290	1450	1525
High free connection	h9	1270	1389	1521	1653
High of boiler connection, feed	h10	1370	1573	1742	1808
High of cold water connection	h11	275	330	360	392
High of the sensor muff 3	h12	410	570	580	875
High of heater muff	h13	790	920	1130	1130
High of the sensor muff 4	h14	1120	1290	1500	1500
High of hot water connection	h15	1308	1486	1581	1700
Vent	h16	1610	1860	2040	2170
Connectors					
Hot/Cold water	R	1"/1"	1"/1"	1"/1"	1"/1"
Central heating, feed/return	Rp	1 1/2"/1 1/2"	1 1/2"/1 1/2"	1 1/2"/1 1/2"	1 1/2"/1 1/2"
Solar cycle, feed/return, bottom	Rp	1"/1"	1"/1"	1"/1"	1"/1"
Heater muff	Rp	1 1/2"	1 1/2"	1 1/2"	1 1/2"
Vent	Rp	1 1/2"	1 1/2"	1 1/2"	1 1/2"
Sensor sleeve	Rp	1/2"	1/2"	1/2"	1/2"
Weight (empty)	kg	140	179	212	343

R - Inner thread , Rp - Outer thread

The FISH S9 hygienic heater

- capacity from 500l to 1500l

